

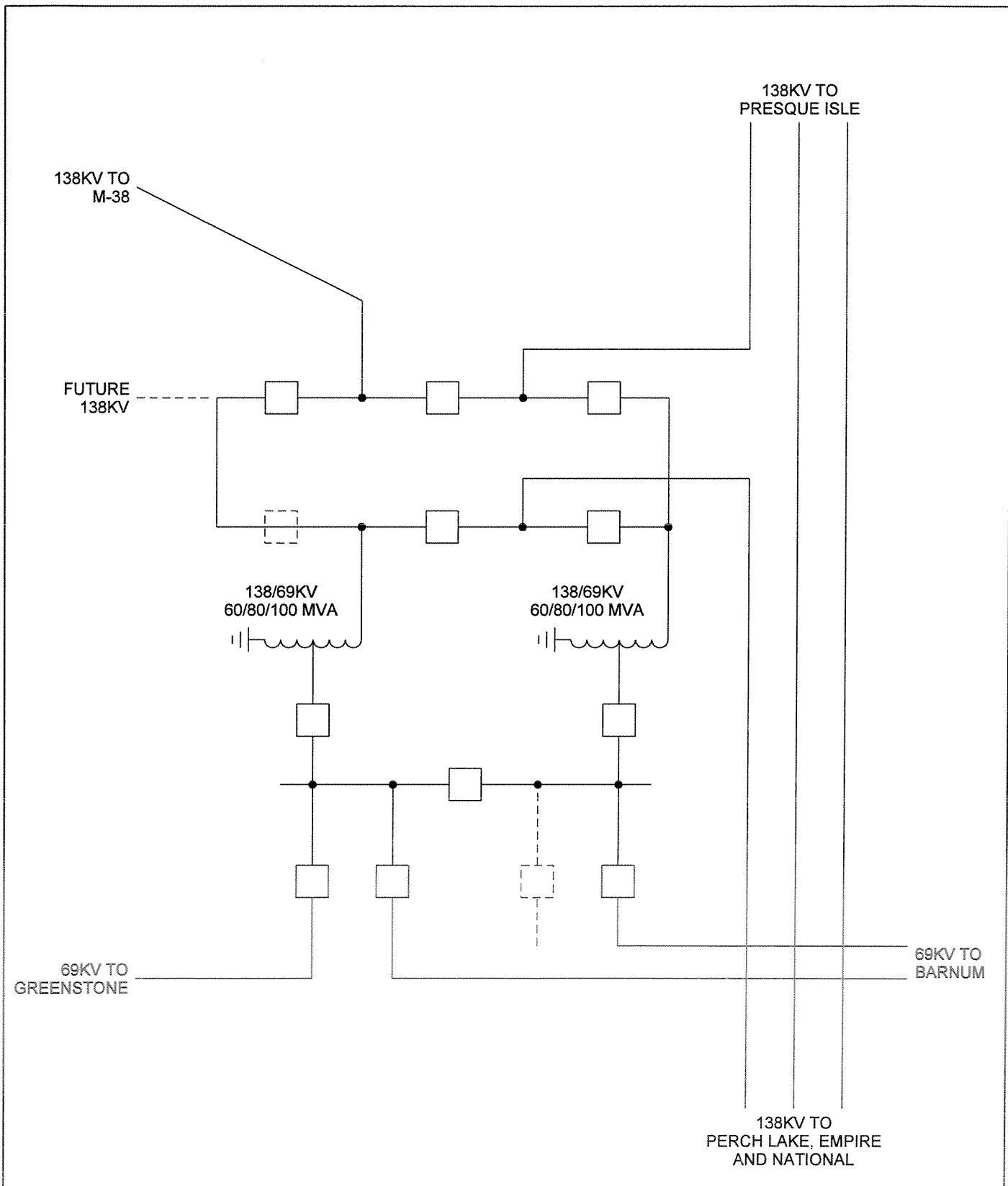
ONE LINE DIAGRAM
OPTION 3A (SUBSTATION EAST OF P.I. LINES)
NORTH LAKE SUBSTATION

THIS DOCUMENT IS FOR THE USE OF AMERICAN TRANSMISSION COMPANY.
AMERICAN TRANSMISSION COMPANY DISCLAIMS ALL WARRANTIES
BOTH EXPRESS AND IMPLIED. USE BY ANYONE OTHER THAN
AMERICAN TRANSMISSION COMPANY IS AT THEIR OWN RISK.

SCALE
NONE

DRAWING No.

SK-NLK-002

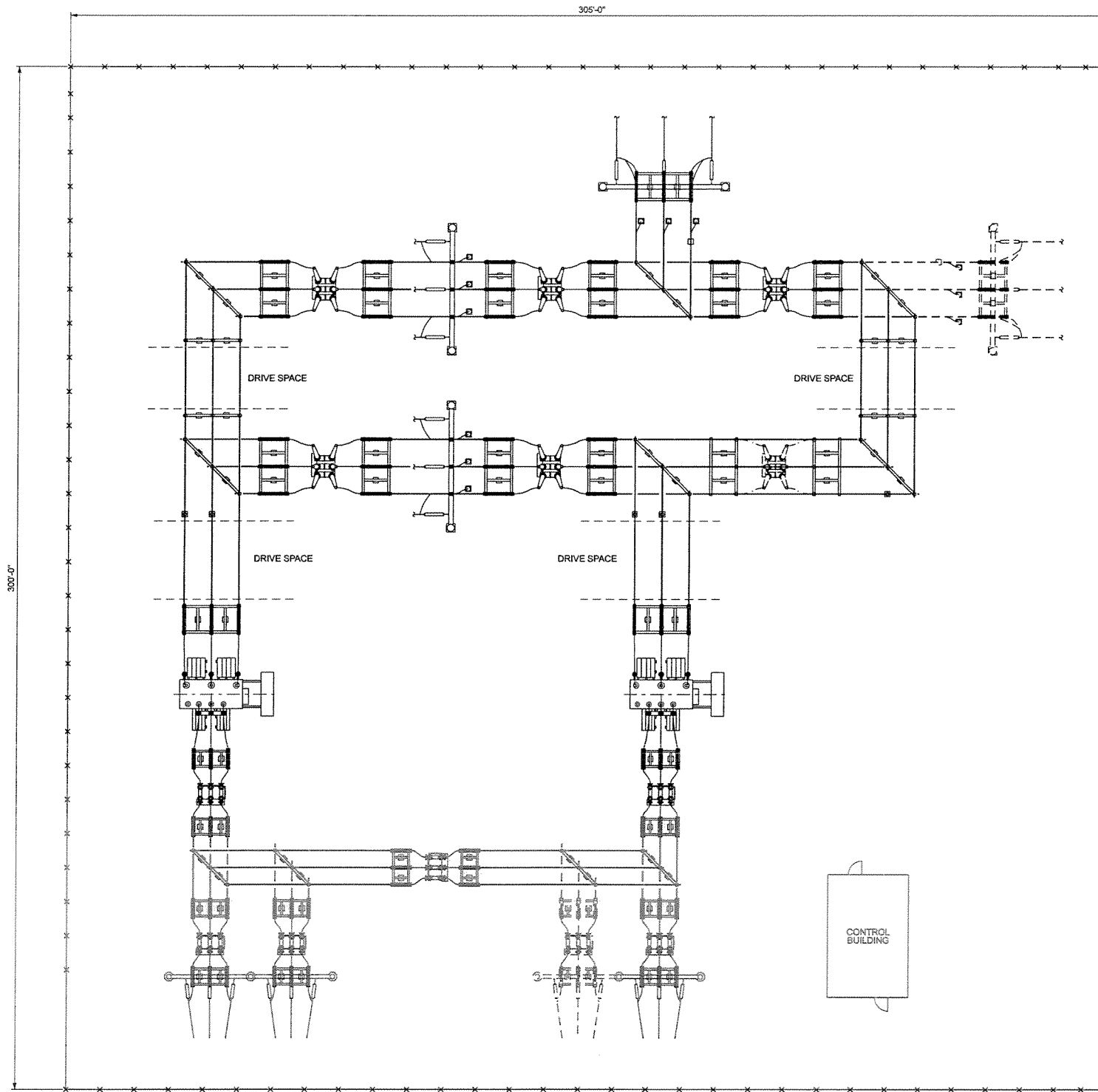


ONE LINE DIAGRAM
OPTION 3B (SUBSTATION WEST OF P.I. LINES)
NORTH LAKE SUBSTATION

THIS DOCUMENT IS FOR THE USE OF AMERICAN TRANSMISSION COMPANY.
AMERICAN TRANSMISSION COMPANY DISCLAIMS ALL WARRANTIES
BOTH EXPRESS AND IMPLIED. USE BY ANYONE OTHER THAN
AMERICAN TRANSMISSION COMPANY IS AT THEIR OWN RISK.

SCALE
NONE

DRAWING No.
SK-NLK-003



GA	02/22/06	65230	PRELIMINARY ARRANGEMENT FOR REVIEW	MJC	DME	DME	B&V
REV	DATE	W.O.#	DESCRIPTION	DRAWN	CHKD	APPD	CMPY



PRELIMINARY ARRANGEMENT PLAN
 NORTH LAKE SUBSTATION
 SCALE: 1"=20'
 DRAWING NO. SK-NLK-001